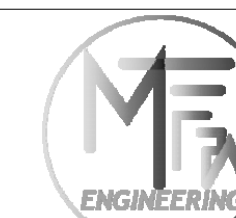


#	REVISIONS
1	04/15/20 ADDENDUM #1



1325 S. Bumby Ave. Orlando, Florida 32806
 PH: (407) 896 7411 / FX: (407) 896 7412
 EMAIL: epgroup@att.net
 CA#8126
FARSHAD ANTIKCHI, PE 72998

PROJECT NUMBER:
MTF18144

DME SPORTS HOUSING COMPLEX

OWNER/DEVELOPER: OWNER/REP: MIKE PANAGGIO DIRECT MAIL EXPRESS, 244 BELLEVUE AVENUE, DAYTONA BEACH, FL 32114 (888) 271-9324
 PROJECT LOCATION: 2801 BELLEVUE AVENUE, DAYTONA BEACH, FL 32114
 GENERAL CONTRACTOR: BRYAN COLLIER, 375 FEINTESS BOULEVARD, DAYTONA BEACH, FL 32114, PH: (386) 676-7177

BPF DESIGN INCORPORATED

ARCHITECTURE, DESIGN & DRAWING SERVICES
 # AA 2801108
 BRIAN P. FREDLEY, ASSOC. AIA, PROJECT MANAGER
 DALLAS B. PEACOCK, AIA, ARCHITECT
 # AR 009706
 207 FAIRVIEW AVENUE, DAYTONA BEACH, FL 32114
 PH: (386) 257-6902 FX: (386) 257-1050
 E-MAIL: bpfdesign@bpfdesign.com WEBSITE: bpfdesign.net

PLUMBING RISER DIAGRAM - GAS

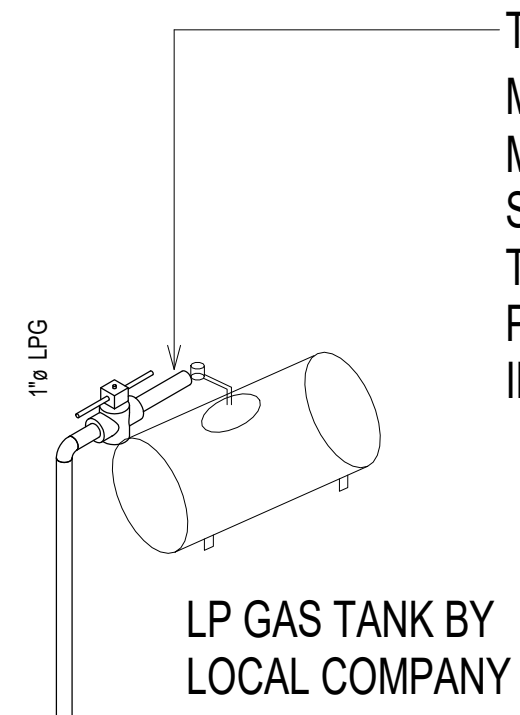
DATE: 05/13/2019

SCALE: AS SHOWN

SHT NO. P-8

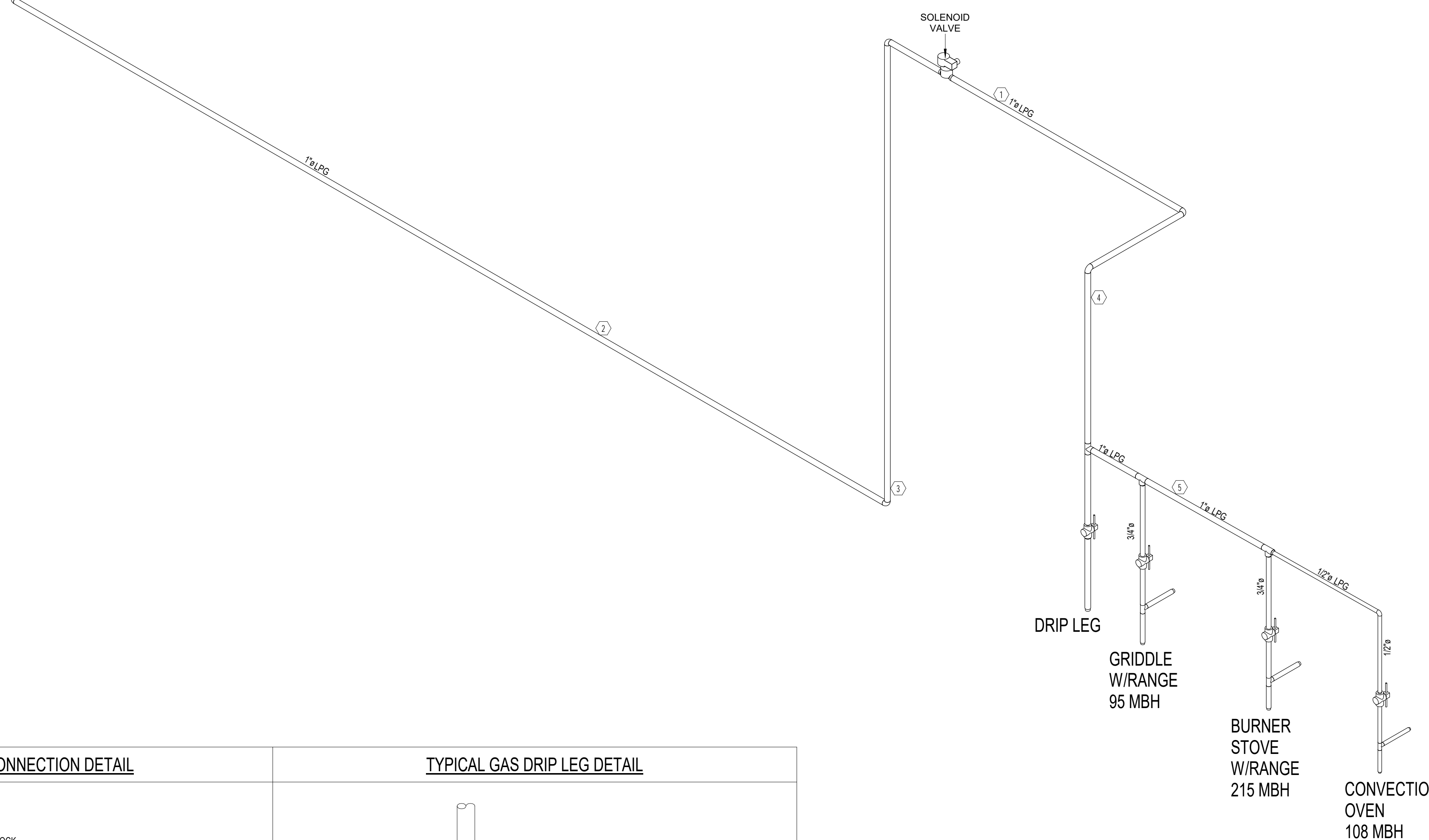
ARCHITECT'S / ENGINEER'S SEAL

TABLE 402.4(28) FBCFG 6TH EDITION (PROPANE TANK)
 MAIN PIPE SIZE: 1"Ø
 MAX LENGTH: 60 FT
 SPECIFIC GRAVITY: 1.50
 TOTAL CONNECTION LOAD: 418 MBH
 PRESSURE DROP: 0.5 IN W.C
 INLET PRESSURE: 11.0 IN W.C



LP GAS TANK BY LOCAL COMPANY

Reference Notes	
Number	Description
1	PIPING LOCATED AT OR ABOVE CEILING.
2	PIPING LOCATED BELOW GRADE.
3	GAS PIPING GOING UP.
4	GAS PIPING GOING DOWN.
5	PIPING LOCATED IN WALL AND RUN TO CONNECT TO FIXTURES.

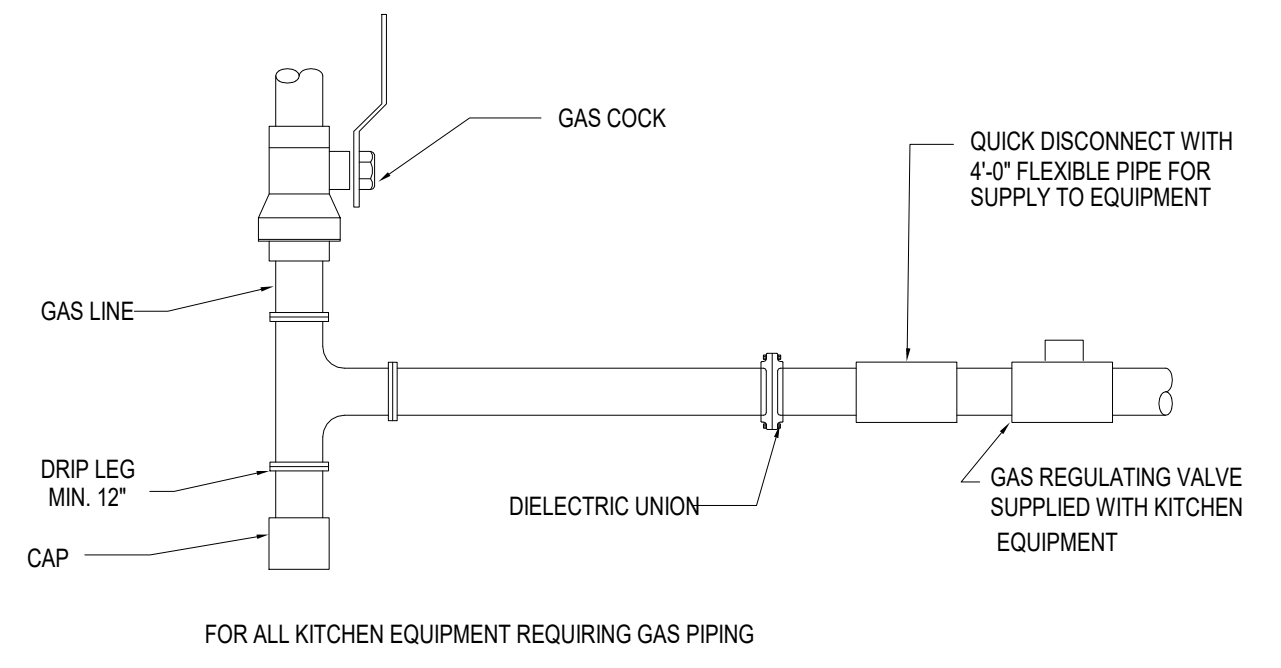


1 Plumbing- Riser Diagram Gas

GAS NOTES

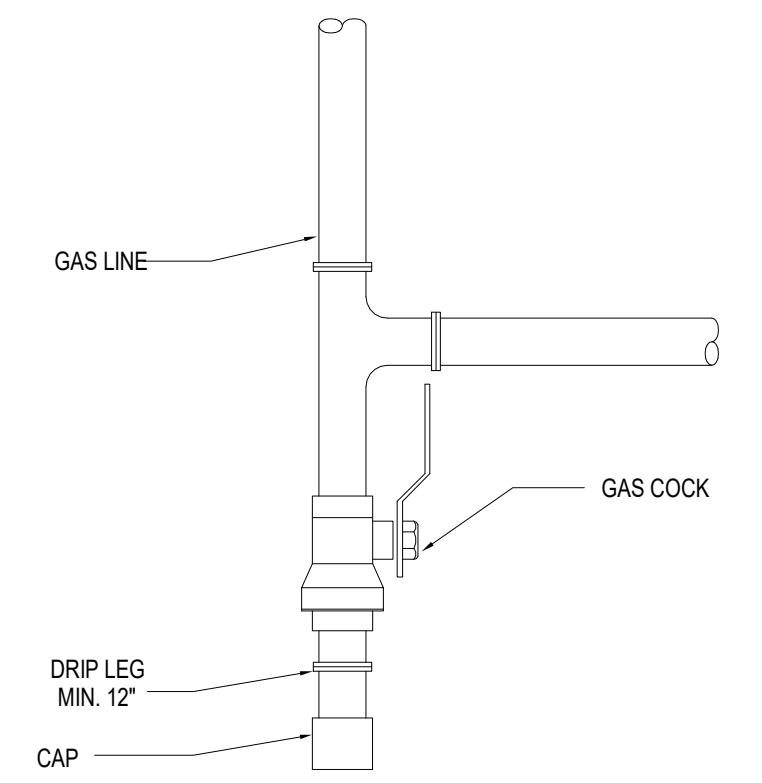
- ALL GAS PIPING SHALL BE LOCATED IN THE WALL CAVITY SPACE. COORDINATE LOCATION W/ PLUMBER, LIGHTING & FIRE PROTECTION TO AVOID CONFLICTS.
- ALL GAS PIPING IS SIZED BASED ON TABLE 402.4(28) SCHEDULE 40 METALLIC PIPE ON FBC-FG (6TH EDITION).
- PROVIDE SHUT-OFF VALVES AT ALL EQUIPMENT SUPPLIED WITH PROPANE GAS.
- ALL GAS INSTALLATIONS WILL COMPLY WITH:
 - AMERICAN GAS ASSOCIATION (A.G.A.) STANDARDS,
 - 6TH EDITION 2017 FLORIDA BUILDING CODE - FUEL GAS
 - REQUIREMENTS OF LOCAL AUTHORITIES HAVING JURISDICTION, AND
 - EQUIPMENT MANUFACTURER'S INSTALLATION INSTRUCTIONS RECOMMENDATIONS.
- SUPPORT ALL PIPING SYSTEMS IN ACCORDANCE WITH APPLICABLE CODES AND WITH INDUSTRY STANDARDS FOR HANGER AND WALL MOUNTED SUPPORT SYSTEMS.
- ALL SUPPORTS SHALL BE PIPING SHALL BE PROVIDED WITH SUPPORT IN ACCORDANCE WITH SECTION 407 AND 415 FLORIDA BUILDING CODE 6TH EDITION 2017 F.G..
- EACH ABOVE-GROUND PORTION OF A GAS PIPING SYSTEM THAT IS LIKELY TO BECOME ENERGIZED SHALL BE ELECTRICALLY CONTINUOUS AND BONDED TO AN EFFECTIVE GROUND-FAULT CURRENT PATH. GAS PIPING SHALL BE CONSIDERED TO BE BONDED WHERE IT IS CONNECTED TO APPLIANCES THAT ARE CONNECTED TO THE EQUIPMENT GROUNDING CONDUCTOR OF THE CIRCUIT SUPPLYING THAT APPLIANCE.

TYPICAL GAS CONNECTION DETAIL



FOR ALL KITCHEN EQUIPMENT REQUIRING GAS PIPING

TYPICAL GAS DRIP LEG DETAIL



FOR ALL KITCHEN EQUIPMENT REQUIRING GAS PIPING